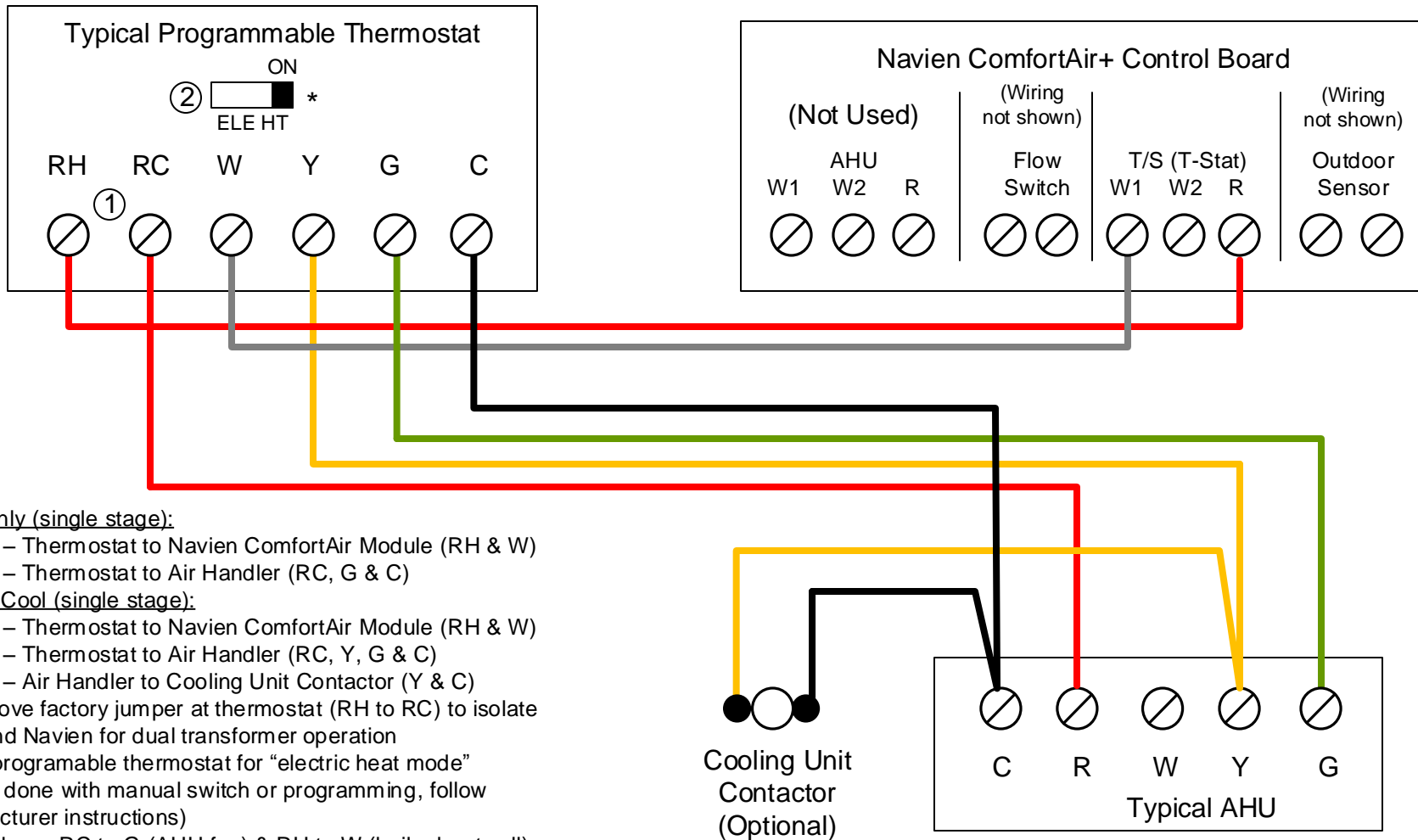


This drawing is intended only as a guide and not as a replacement for professionally engineered project drawings. This concept system drawing does not imply compliance with local building codes. Actual installation may vary depending on installation location & parameters and it must be done in accordance to all local building codes. Verify with local building officials before commencement of system installation.



Notes:

Heat Only (single stage):

- 2 wires – Thermostat to Navien ComfortAir Module (RH & W)
- 3 wires – Thermostat to Air Handler (RC, G & C)

Heat & Cool (single stage):

- 2 wires – Thermostat to Navien ComfortAir Module (RH & W)
- 4 wires – Thermostat to Air Handler (RC, Y, G & C)
- 2 wires – Air Handler to Cooling Unit Contactor (Y & C)

1. Remove factory jumper at thermostat (RH to RC) to isolate AHU and Navien for dual transformer operation
2. Set programmable thermostat for “electric heat mode” (This is done with manual switch or programming, follow manufacturer instructions)

* This closes RC to G (AHU fan) & RH to W (boiler heat call).



20 Goodyear
Irvine, CA 92618
800-519-8794
www.navien.com

NPE-A Series Tankless Water Heater

**Navien NPE-A Series
ComfortAir + Supplemental Control Wiring 1**

Drawn By: B. Fenske

NPE-A-CA+-W1

April 1, 2015

Alternate Wiring Diagram

Using compatible thermostat as control center. No wires between NPE-A ComfortAir+ control board and air handler.

Note: Fan disable during domestic hot water operation is non-functional.